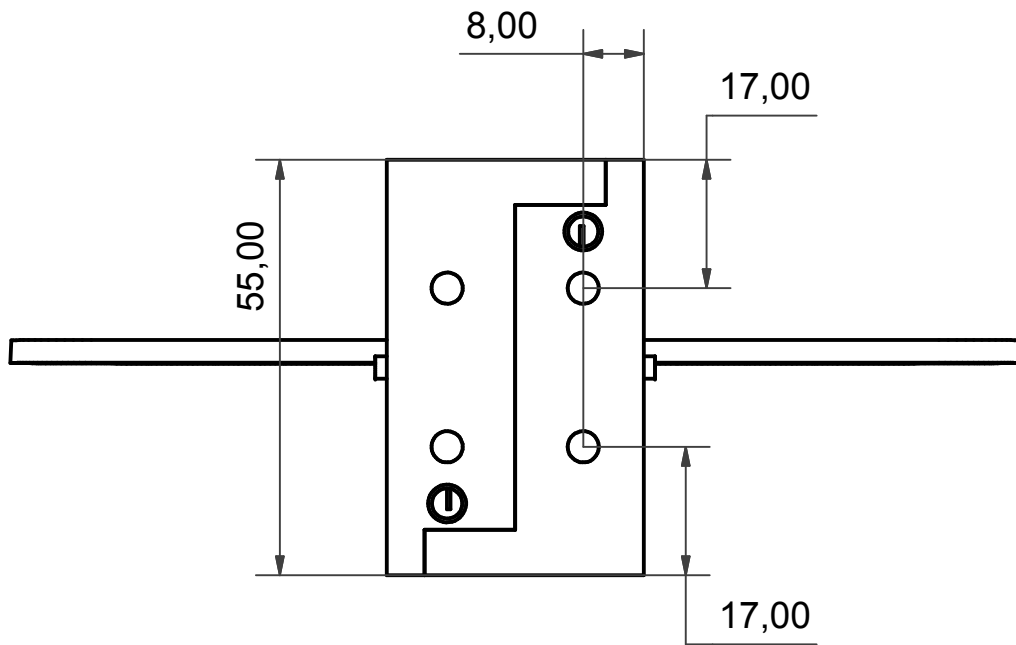
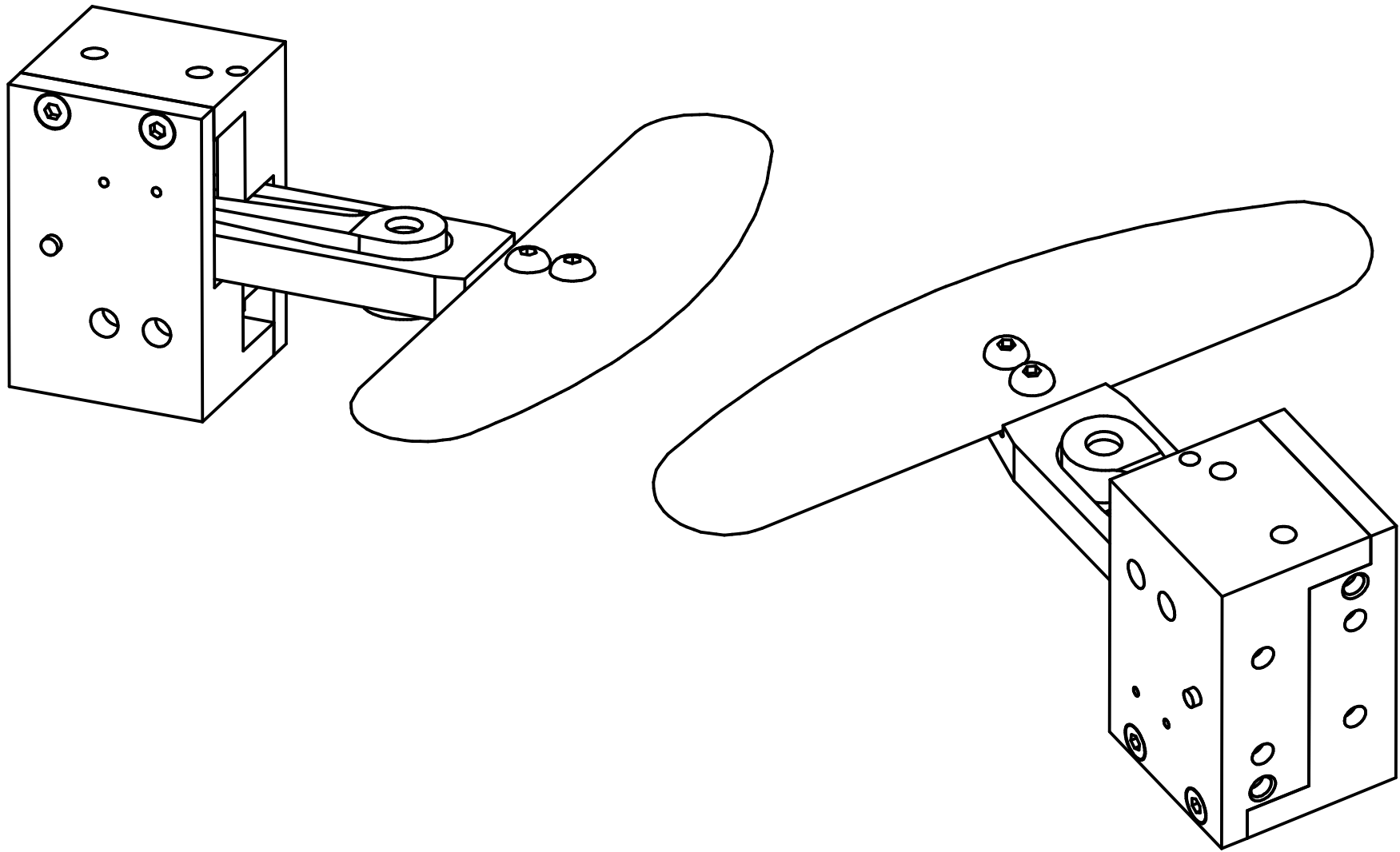


Designed by Neil Wallace	Checked by	Approved by - date	Date 05/05/2010
Geartronics Ltd.		Single 'rally' paddle	
		single-rally-paddle	Edition 1.1 Sheet 1 / 3



Designed by Neil Wallace	Checked by	Approved by - date	Date 05/05/2010		
Geartronics Ltd.		Single 'rally' paddle			
		single-rally-paddle	<table border="1"> <tr> <td>Edition</td> <td>Sheet</td> </tr> <tr> <td>1.1</td> <td>2 / 3</td> </tr> </table>	Edition	Sheet
Edition	Sheet				
1.1	2 / 3				



Designed by Neil Wallace	Checked by	Approved by - date	Date 05/05/2010		
Geartronics Ltd.		Single 'rally' paddle			
		single-rally-paddle	<table border="1"> <tr> <td>Edition</td> <td>Sheet</td> </tr> <tr> <td>1.1</td> <td>3 / 3</td> </tr> </table>	Edition	Sheet
Edition	Sheet				
1.1	3 / 3				