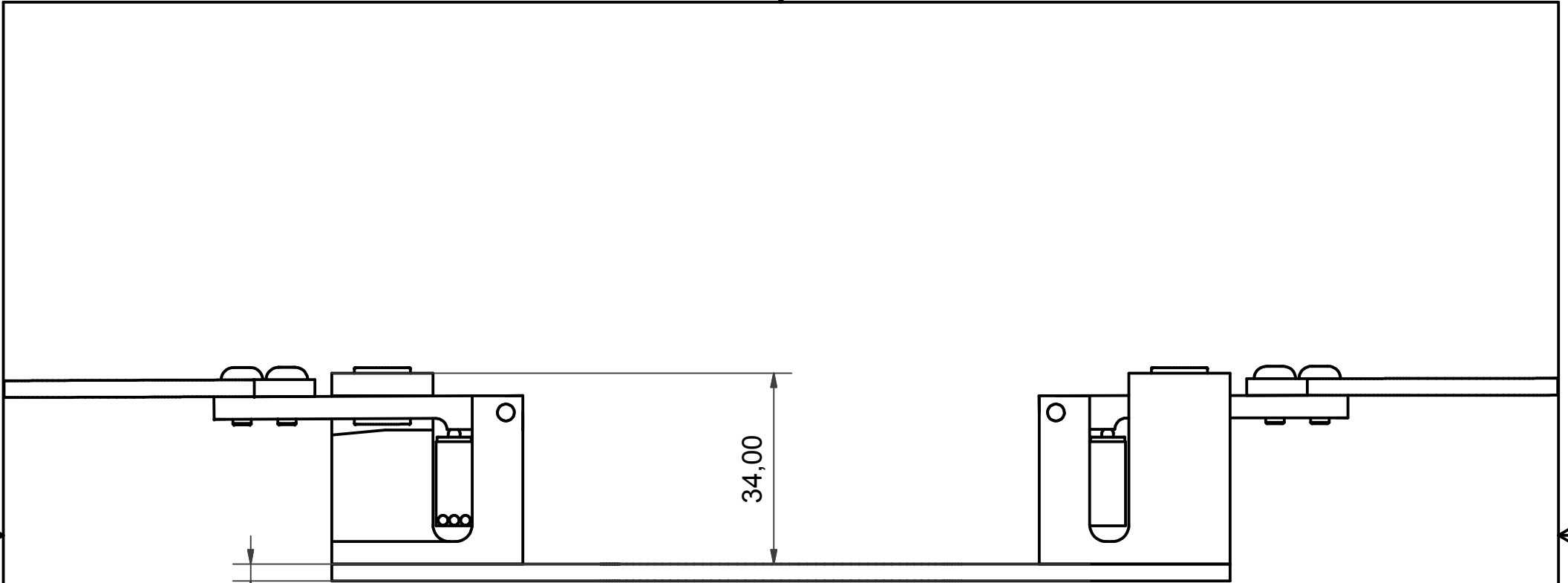
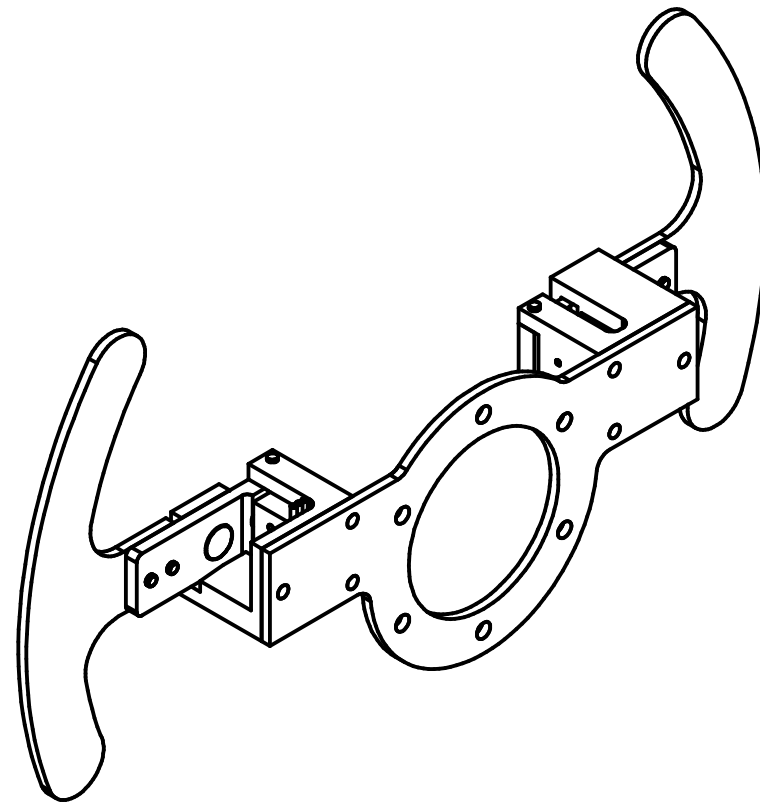
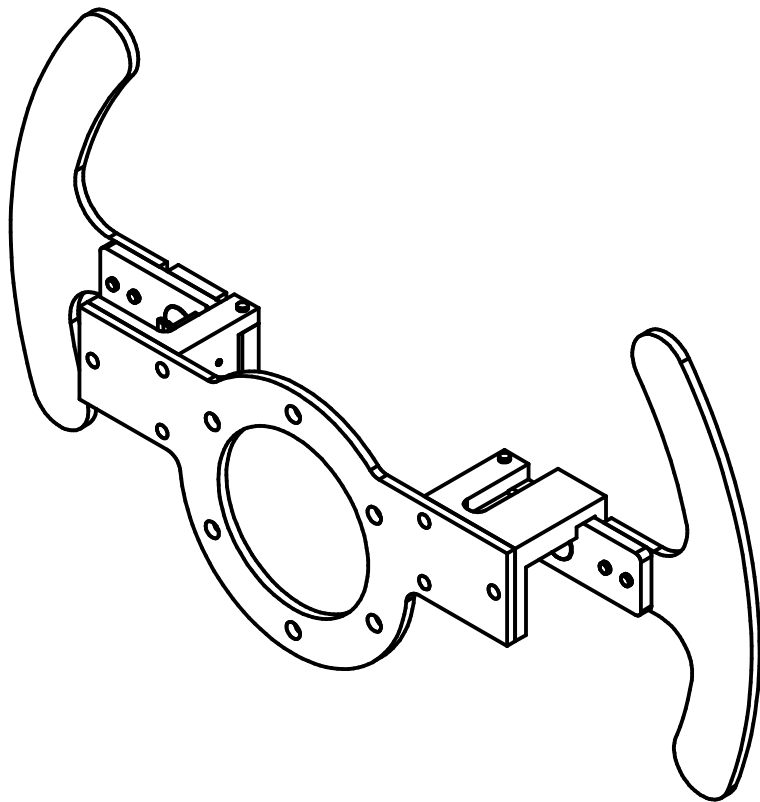


Designed by Neil Wallace	Checked by	Approved by - date	Date 23/01/2009
Geartronics Ltd.		Large paddle assembly	
		large paddle assembly	Edition 1.0
		Sheet 1 / 3	



Designed by Neil Wallace	Checked by	Approved by - date	Date 23/01/2009
Geartronics Ltd.		Large paddle assembly	
		large paddle assembly	Edition 1.0
		Sheet 2 / 3	



Designed by Neil Wallace	Checked by	Approved by - date	Date 23/01/2009
Geartronics Ltd.		Large paddle assembly	
		large paddle assembly	Edition 1.0