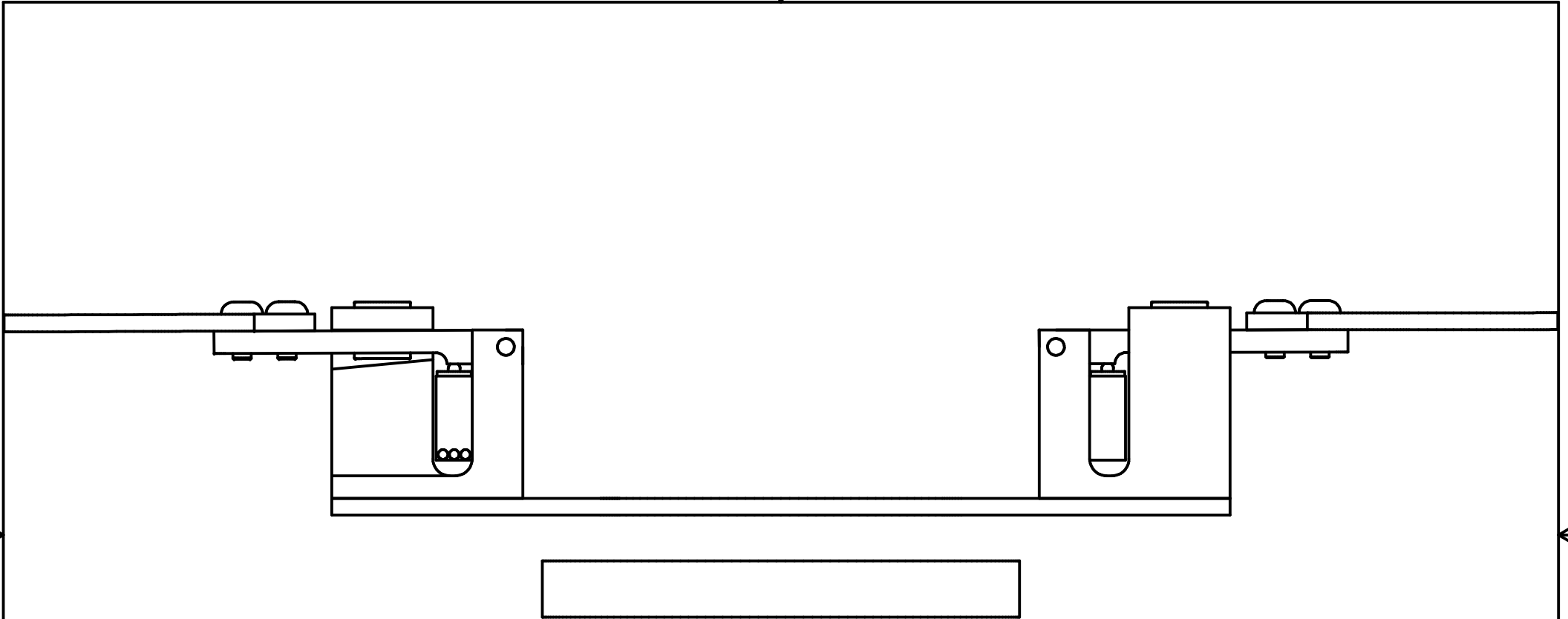
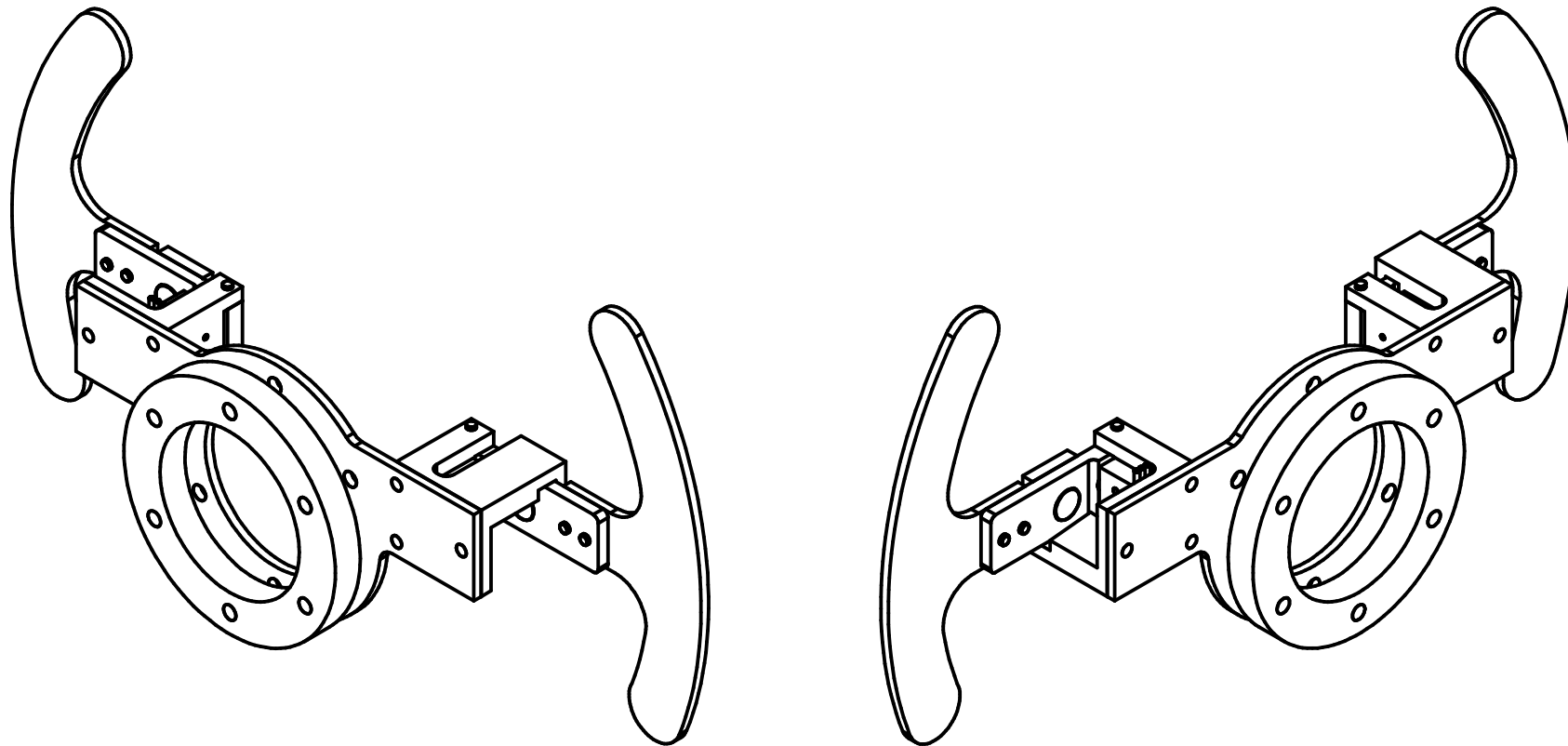


Designed by Neil Wallace	Checked by	Approved by - date	Date 23/01/2009		
Geartronics Ltd.		Large paddle assembly			
		large paddle assembly	<table border="1"> <tr> <td>Edition</td> <td>Sheet</td> </tr> <tr> <td>1.0</td> <td>1 / 3</td> </tr> </table>	Edition	Sheet
Edition	Sheet				
1.0	1 / 3				



Designed by Neil Wallace	Checked by	Approved by - date	Date 23/01/2009
Geartronics Ltd.		Large paddle assembly	
		large paddle assembly	Edition 1.0 Sheet 2 / 3



Designed by Neil Wallace	Checked by	Approved by - date	Date 23/01/2009
Geartronics Ltd.		Large paddle assembly	
		large paddle assembly	Edition 1.0