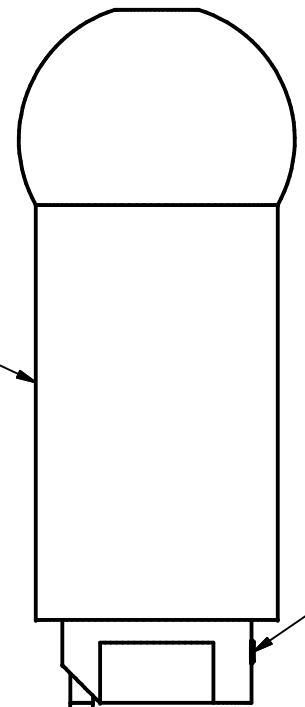
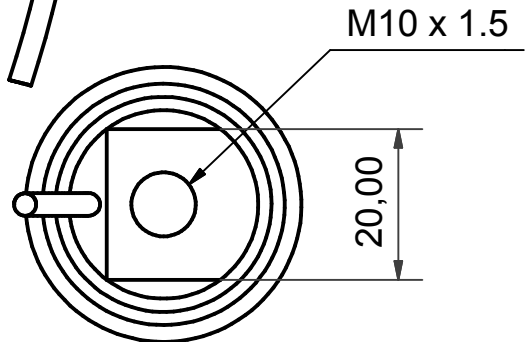


M10 threaded version

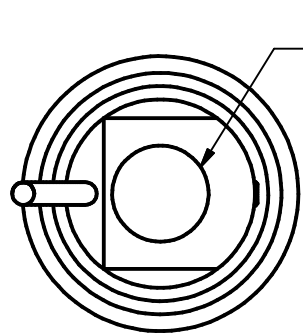
Quaife specific version

Use flats to tighten.
Do not twist load cell body!

Load cell must be mounted
with cable to front of car.



M3 grub screw.
Grind flat on gear lever
for screw to locate.



Output voltage: 0.5v - 2.5v - 4.5v
No load voltage = 2.5v nominal

Range: $\pm 150\text{N}$ at full scale

Wiring colour code:

Red = +12v supply
Black = ground
White = signal



Designed by Neil Wallace	Checked by	Approved by - date	Date 11/01/2016
Geartronics Ltd.		Gear knob load cell	
		GKLC	Edition 1.0
		Sheet 1 / 1	