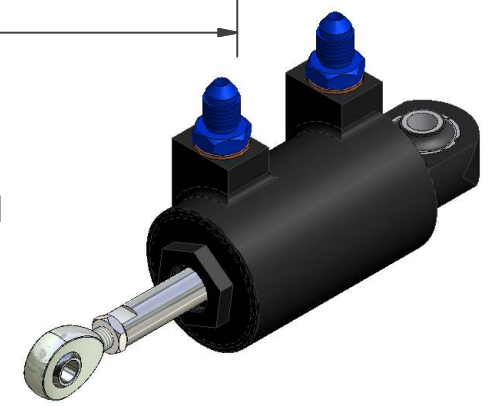


Actuator shown mid-travel
total stroke is +/- 16mm



Designed by Neil Wallace	Checked by	Approved by - date	Date 31/12/2015
Geartronics Ltd.		32 x 32 Actuator	
		32 x 32 actuator	Edition 2.0 Sheet 1 / 1