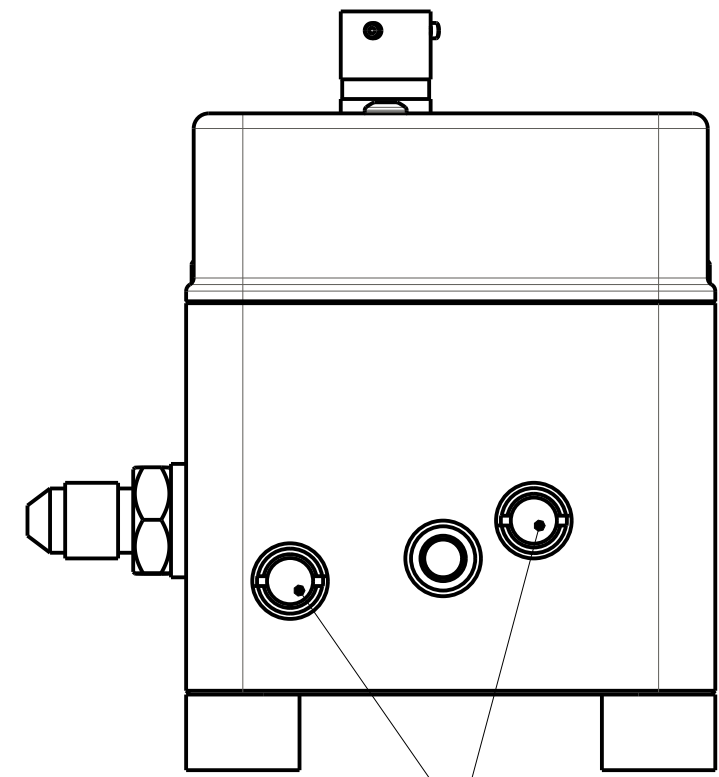
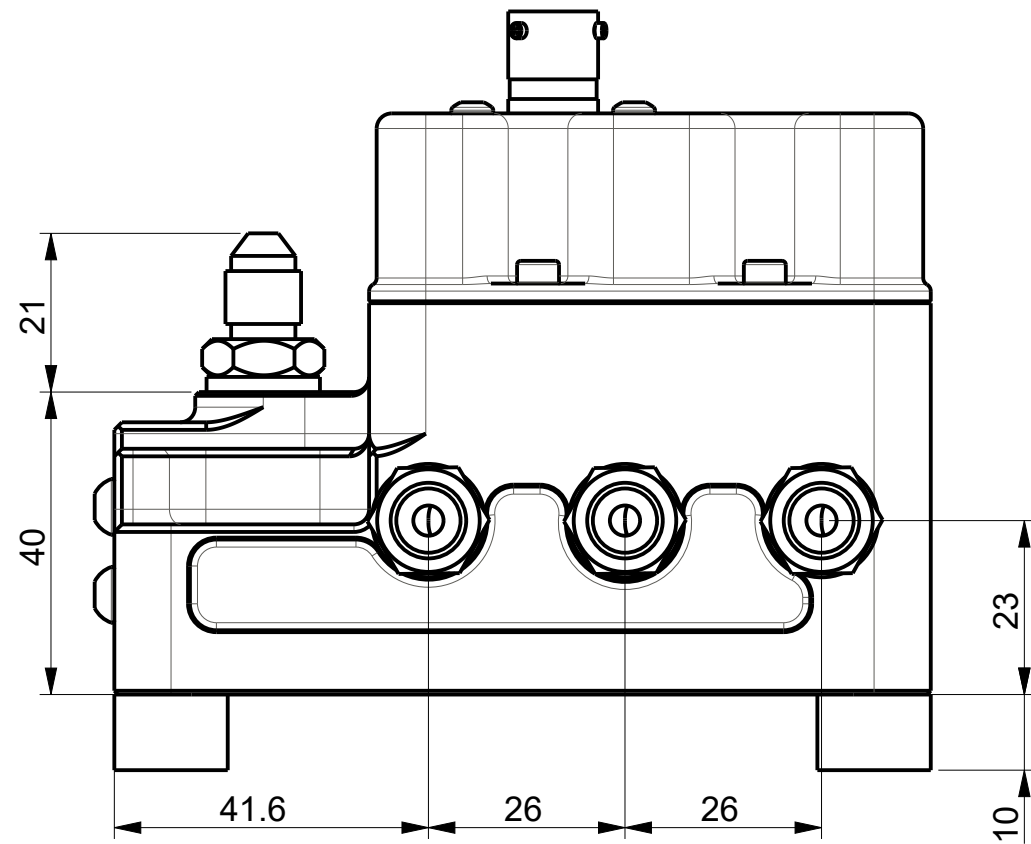
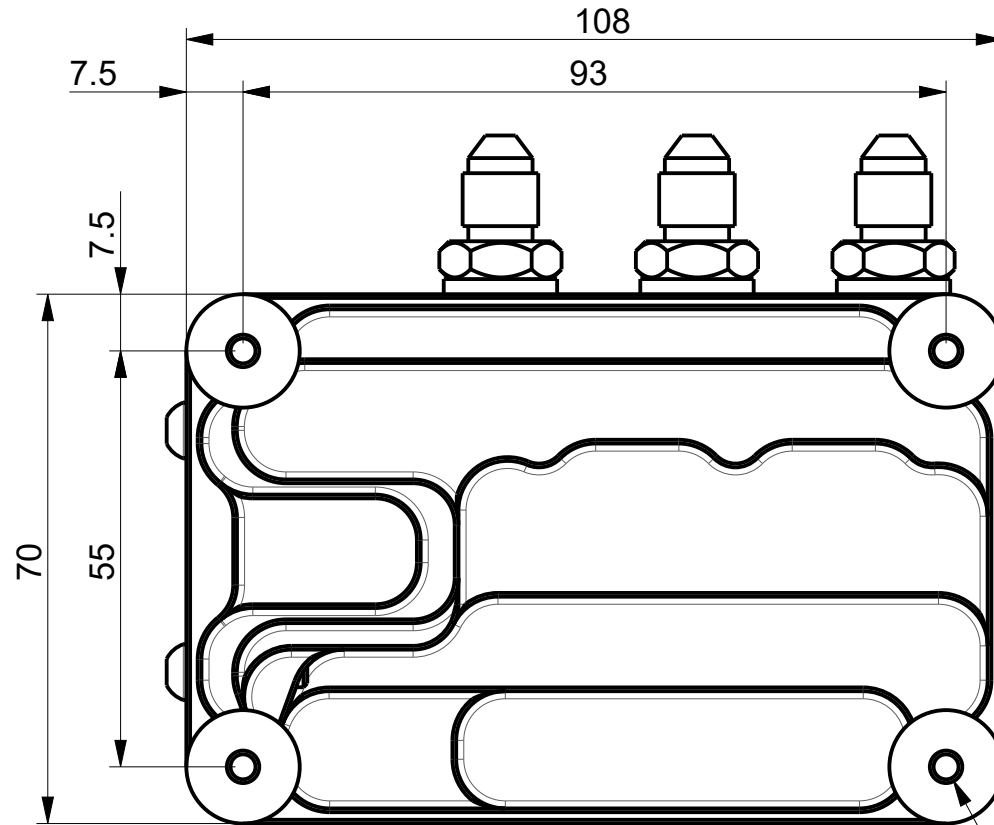


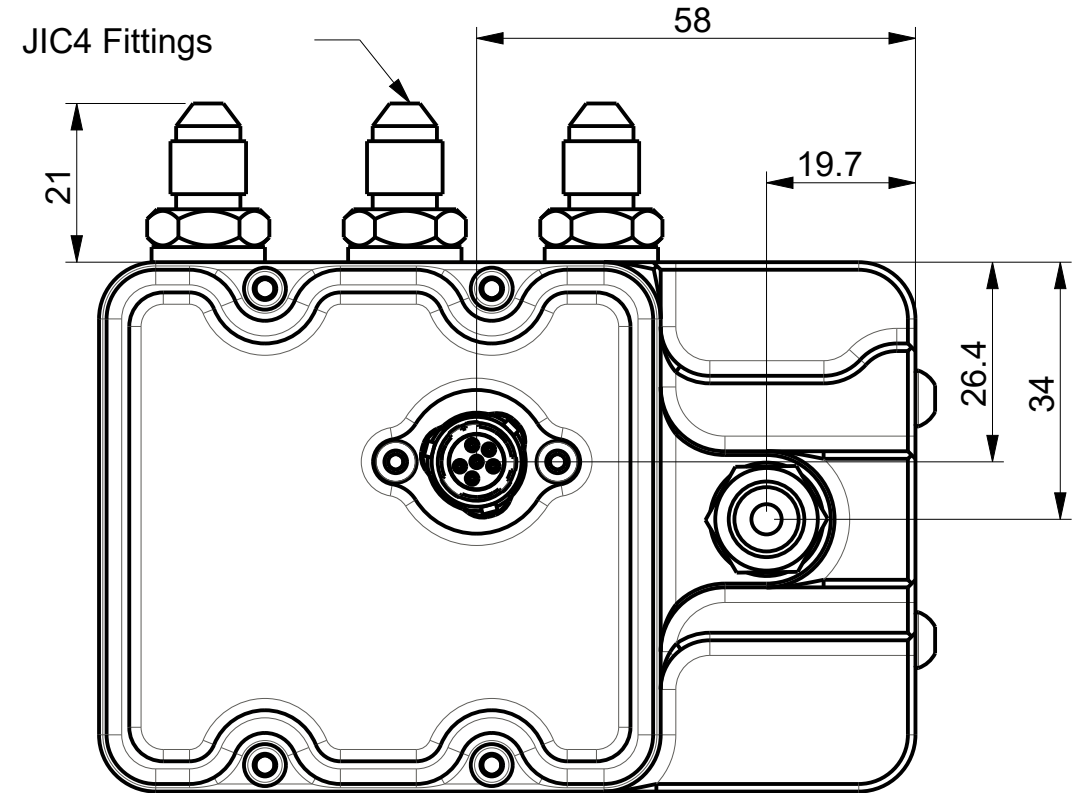
AV Mounts



Exhausts




Bottom View



Top View

A	18-09-24	Drawing Issued	ADS
ISSUE	DATE	MODIFICATION	SIGN



THIS DRAWING IS THE PROPERTY OF GEARTRONICS LIMITED. IT IS STRICTLY CONFIDENTIAL AND MUST NOT BE LOANED OR DISCLOSED TO OTHER PARTIES WITHOUT THEIR PERMISSION © 2024

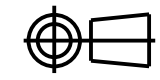
NON TOLERANCED DIMENSIONS:

± 0.4 MM ON DIMENSIONS UPTO 1 DECIMAL PLACE

± 0.15 MM ON DIMENSIONS UPTO 2 DECIMAL PLACES

± 0.03 MM ON DIMENSIONS UPTO 3 DECIMAL PLACES

ANGULAR ± 1 DEG. EXCEPT MOULDINGS ± 0.5 DEG.

DRAWING DESCRIPTION		3 Way Valve Block		PART NO.	DESC.		3 way Valve Block	
SCALE	1:1	ORIGINAL ON CAD			MATERIAL AND GRADE			
SHEET	1 of 1			VOLUME	DRAWN BY ADS		18/09/24	
DO NOT SCALE, IF IN DOUBT, ASK!				WEIGHT	CHECKED BY ADS		18/09/24	
				SURFACE	APPROVED BY			