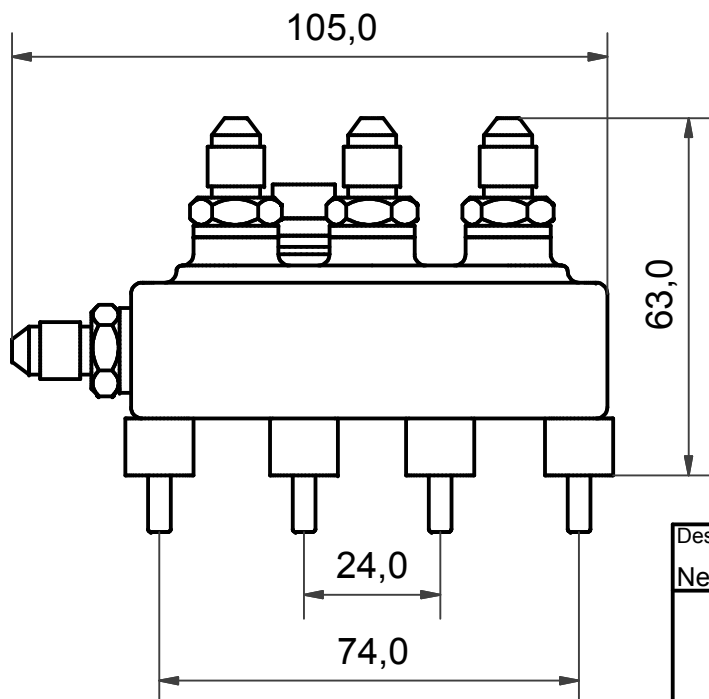
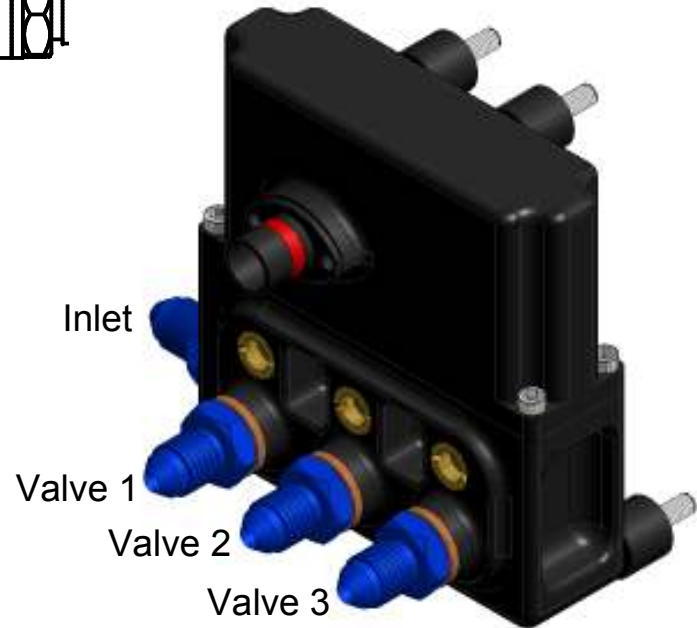


Deutsch ASL006-05PN
 (mating half ASL606-05SN)
 Pin 1 - +12v common
 Pin 2 - Valve 1
 Pin 3 - Valve 2
 Pin 4 - Valve 3

4 x AV mounts (M4 thread)



Designed by Neil Wallace	Checked by	Approved by - date	Date 04/05/2012		
Geartronics Ltd.		Professional valve block			
		PVB3	<table border="1"> <tr> <td>Edition</td> <td>Sheet</td> </tr> <tr> <td>1.0</td> <td>1 / 1</td> </tr> </table>	Edition	Sheet
Edition	Sheet				
1.0	1 / 1				